

PAD FOOTING SCHEDULE						
MARK	"W" WIDTH FEET-INCH	"T" HEIGHT INCHES	"N" NUMBER BARS	BAR SIZE	FOOTING WEIGHT kips	ALLOWABLE LOAD kips
P1	2'-0"	10"	3	#4	0.5	5.5
P2	2'-6"	10"	3	#4	0.8	8.6
P3	3'-0"	10"	3	#4	1.1	12.0
P4	3'-6"	10"	4	#4	1.5	17.8
P5	4'-0"	12"	4	#5	2.4	22.0
P6	4'-6"	12"	4	#5	3.0	27.6
P7	5'-0"	12"	6	#5	3.8	33.6
P8	5'-6"	12"	7	#5	4.6	45.4

Assume 1500 psf soil bearing

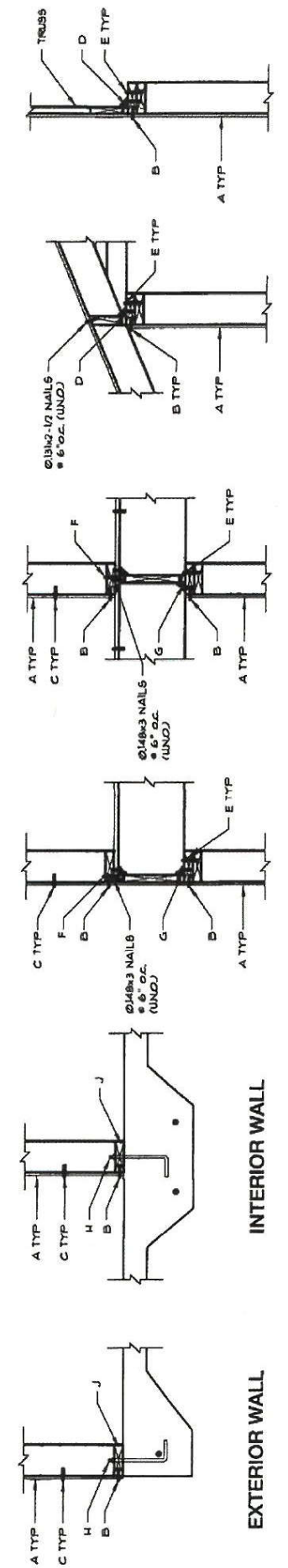
DAN GREEN
ENGINEERING, INC.
SALEM, OREGON
(503) 391-2309

FILE NO. 240249 SHEET NO. 1/9
 DESIGNER OG DATE 3/1/24
 CLIENT Chauvenet Const
 PROJECT Acce road

TABLE T.1 SHEARWALL SCHEDULE 12.3.13
 ASSUMING ALL FRAMING AT SHEAR WALL ARE DOUGLAS FIR

WALL TYPE	A ⁴	B	C	REMARKS	D	E ¹⁰	F	G	H ^{6,11}	J ¹¹
①	PANEL EDGE NAILING	①13x2-1/2 NAILS @ 6" O.C.	①13x2-1/2 NAILS @ 4" O.C.		A35 CLIPS @ 20" O.C.	①148x3 NAILS @ 6" O.C. STAGGERED	①162x3-1/2 NAILS @ 6" O.C.	①162x3-1/2 NAILS @ 4" O.C.	SILL PLATE CONNECTION (DIAMETER X 1/2" LONG ANCHOR BOLTS)	2x PLF
②		①13x2-1/2 NAILS @ 4" O.C.			A35 CLIPS @ 14" O.C.	①148x3 NAILS @ 4" O.C. STAGGERED	①162x3-1/2 NAILS @ 4-1/2" O.C.	A35 CLIPS @ 14" O.C.		2x PLF
③		①13x2-1/2 NAILS @ 3" O.C.			A35 CLIPS @ 14" O.C.	①148x3 NAILS @ 3" O.C. STAGGERED	①162x3-1/2 NAILS @ 3-1/2" O.C.	A35 CLIPS @ 11" O.C.		2x PLF
④		①13x2-1/2 NAILS @ 6" O.C.		BOTH SIDE OF WALL	A35 CLIPS @ 10" O.C.	①148x3 NAILS @ 3" O.C. STAGGERED	①162x3-1/2 NAILS @ 3" O.C.	A35 CLIPS @ 10" O.C.		2x PLF
⑤		①13x2-1/2 NAILS @ 4" O.C.		BOTH SIDE OF WALL	A35 CLIPS @ 1" O.C.	①148x3 NAILS @ 2" O.C. STAGGERED	①162x3-1/2 NAILS @ 6" O.C. & A35 CLIPS @ 1" O.C.	A35 CLIPS @ 1" O.C.		2x PLF
⑥		①13x2-1/2 NAILS @ 4" O.C.		BOTH SIDE OF WALL	A35 CLIPS @ 3" O.C.	①148x3 NAILS @ 2" O.C. STAGGERED	①162x3-1/2 NAILS @ 6" O.C. & A35 CLIPS @ 1" O.C.	A35 CLIPS @ 1" O.C.		2x PLF
⑦		①13x2-1/2 NAILS @ 3" O.C.		BOTH SIDE OF WALL	A35 CLIPS @ 3" O.C.	①148x3 NAILS @ 2" O.C. STAGGERED	①162x3-1/2 NAILS @ 6" O.C. & A35 CLIPS @ 1" O.C.	A35 CLIPS @ 1" O.C.		2x PLF
⑧		①13x2-1/2 NAILS @ 3" O.C.		BOTH SIDE OF WALL	A35 CLIPS @ 3" O.C.	①148x3 NAILS @ 2" O.C. STAGGERED	①162x3-1/2 NAILS @ 6" O.C. & A35 CLIPS @ 1" O.C.	A35 CLIPS @ 1" O.C.		2x PLF
⑨		①13x2-1/2 NAILS @ 3" O.C.		BOTH SIDE OF WALL	A35 CLIPS @ 4-1/2" O.C.	①148x3 NAILS @ 2" O.C. STAGGERED	①162x3-1/2 NAILS @ 6" O.C. & A35 CLIPS @ 1" O.C.	A35 CLIPS @ 1" O.C.		2x PLF
⑩		①13x2-1/2 NAILS @ 3" O.C.		BOTH SIDE OF WALL	A35 CLIPS @ 4-1/2" O.C.	①148x3 NAILS @ 2" O.C. STAGGERED	①162x3-1/2 NAILS @ 6" O.C. & A35 CLIPS @ 1" O.C.	A35 CLIPS @ 1" O.C.		2x PLF

FOOTNOTES:
 1. NOT ALL WALL TYPES SHOWN MAY BE USED ON THIS PROJECT.
 2. BLOCK ALL PANEL EDGES UNLESS NOTED OTHERWISE.
 3. ONLY AT SHEAR WALL LOCATIONS.
 4. 3/8" OR 1/2" O.S.B. (PS2-92 GRADE) MAY BE USED IF APPLIED DIRECTLY TO FRAMING AND STUDS ARE SPACED A MAXIMUM OF 16" O.C. OR PANELS ARE APPLIED WITH LONG DIMENSION ACROSS STUDS.
 5. 2x SILL PLATES MAY BE SUBSTITUTED FOR 3x PLATES IN SEISMIC CATEGORIES "A", "B" OR "C".
 6. USE EITHER 1/2" OR 5/8" DIAMETER ANCHOR BOLTS. (2) ANCHOR BOLTS MIN. PER PLATE.
 7. WHERE PANELS ARE APPLIED ON BOTH SIDES OF A WALL, AND NAIL SPACING IS LESS THAN 6 INCHES ON CENTER ON EITHER SIDE, PANEL JOINTS SHALL BE OFFSET TO FALL ON DIFFERENT FRAMING MEMBERS OR FRAMING SHALL BE 3 INCH NOMINAL OR THICKER AND NAILS ON EACH SIDE SHALL BE STAGGERED.
 8. A 1/2" OR 5/8" DIA. SIMPSON STRONG-BOLT 2 ANCHOR OR EQUAL MAY BE SUBSTITUTED. EMBED BOLT 3 1/2" INTO CONCRETE.
 9. SHEATHING ON SHEARWALLS SHALL NOT BE INTERRUPTED BY ANY WALL BUTTINGS INTO SHEARWALL.
 10. IF PLYWOOD NOT FULL HEIGHT TO DOUBLE TOP PLATE.
 11. STEEL PLATE WASHERS, 1/4" THICK X 3" X 3" REQUIRED BETWEEN SILL PLATE AND ANCHOR BOLT NUT.
 12. USE COMMON NAILS, ROWS OF STAGGERED NAILS TO BE 1/2" APART, CENTERED ON RIM JOIST.
 13. USE BOX NAILS, ROWS OF STAGGERED NAILS TO BE 1/2" APART, CENTERED ON RIM JOIST.



DAN GREEN
ENGINEERING, INC.
SALEM, OREGON

FILE NO. 240249 SHEET NO. 1/9
 DESIGNER OG DATE 3/1/24
 CLIENT Chauvenet Const
 PROJECT Acce road